



PT INTERJAYA SURYA MEGAH

Head Office :

Jl. Rungkut Industri III / 55
Surabaya 60293 - Indonesia
Telp. (031) 849 7070 (Hunting)
Fax. (031) 842 0212, 842 0390
E-mail: support@interjaya.com
Website: www.interjaya.com

Branch Office :

Kawasan Pergudangan Mutiara Kosambi II
Blok A8 No. 25, Jl. Raya Perancis 288
Dadap - Tangerang 15125 - Indonesia
Telp.(021) 559 100 55 - 9
Fax. (021) 559 101 55, 559 102 55
E-mail : ism@interjaya.com

Rep. Office :

Jl. Tol Jakarta Cikampek Km 37
Ruko Spanish Square Blok B no. 6
Kota Deltamas - Cikarang - Bekasi 17500
Telp. (021) 899 700 10 (Hunting), 713 703 74
Fax. (021) 899 705 55
E-mail : ism.ckr@interjaya.com

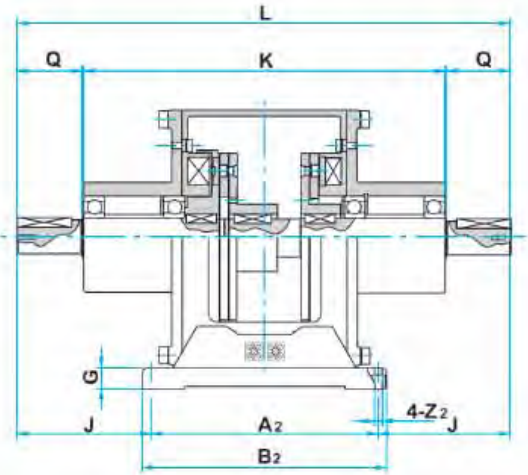
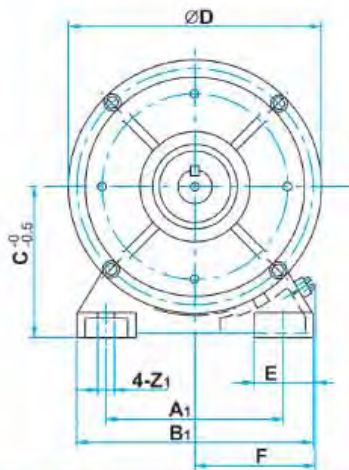
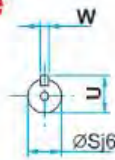
Rep. Office :

Jl. S. Parman no. 25
Manado 95122
Telp. (0431) 845 108
Fax. (0431) 845 108



Single Clutch Brake with Two Bearings

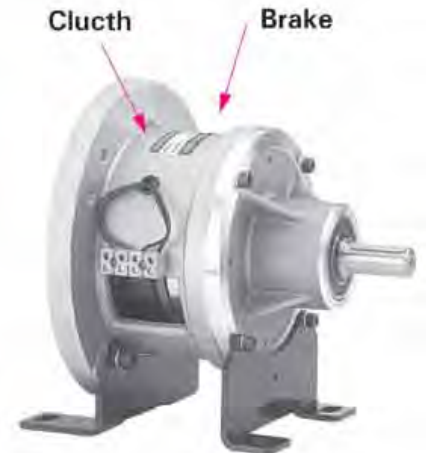
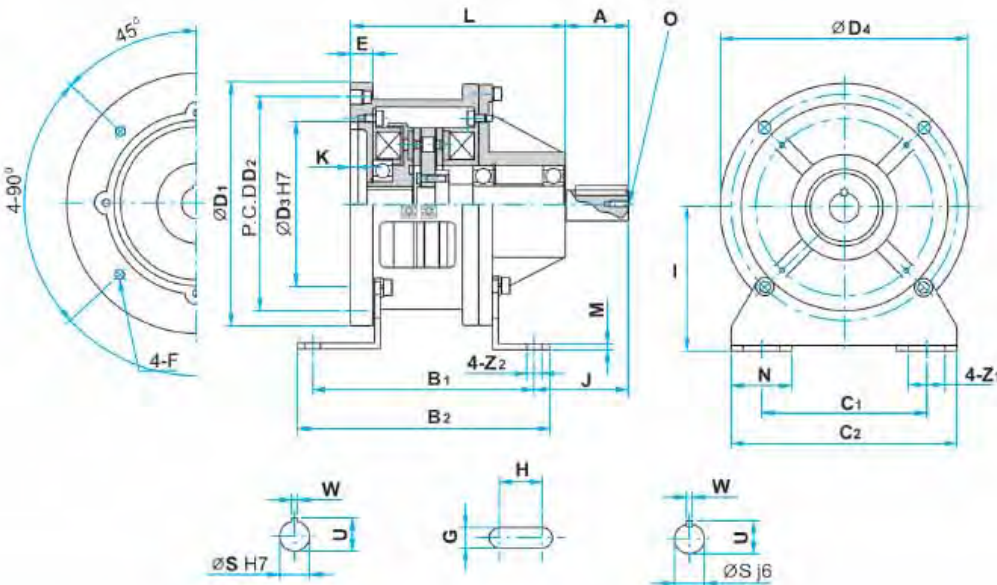
S-□□□-A21
Torque Code



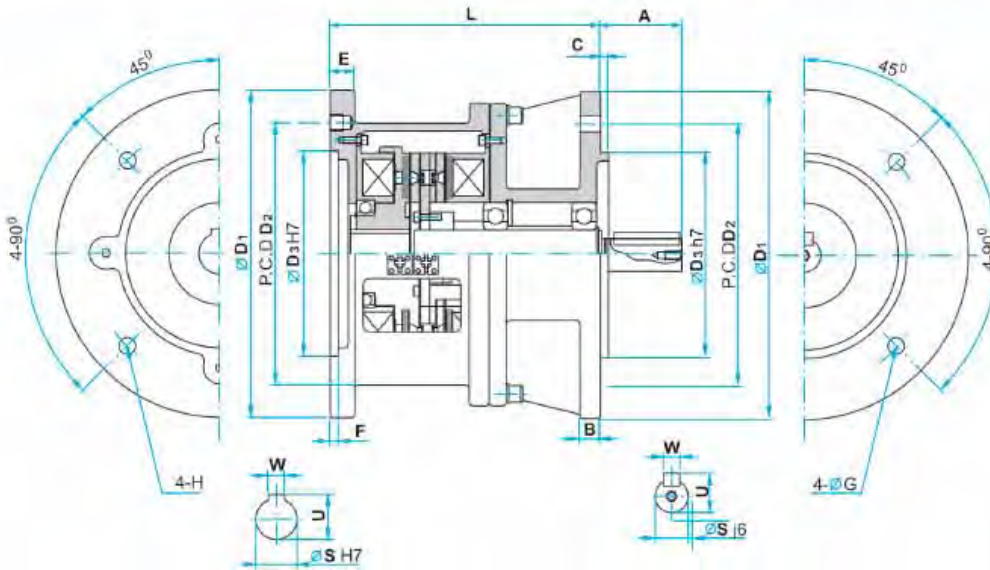
Single Clutch Brake with Two Bearings							
Model	Torque (kgfm)	Voltage DC-V	Coil			Protective Prime Factor	Maximum Number of Revolutions (r/min)
			Capacity (W)	Current (A)	Resistance (Ω)		
S-S50-A21	0.50	24	11	0.46	52	TNR9G820K	8000
S-M10-A21	1.0	24	15	0.63	38	TNR9G820K	6000
S-M20-A21	2.0	24	20	0.83	29	TNR9G820K	5000
S-M40-A21	4.0	24	25	1.04	23	TNR9G820K	4000
S-M80-A21	8.0	24	35	1.46	16	TNR9G820K	3000
S-T16-A21	16	24	45	1.88	13	TNR9G820K	2500



Installation Size (mm)																		
Dynamic Torque	A1	A2	B1	B2	C	D	E	F	G	J	K	L	Z1	Z2	Q	S	U	W
S50	65	90	90	105	65	100	28	60	10	48.5	132	187	13.5	6.5	25	11	12.5	4
M10	80	110	110	130	80	125	32	68	12	63	171	236	15	9	30	14	16	5
M20	105	135	140	160	90	150	35	81	15	80	209	295	20	11	40	19	21	5
M40	135	160	175	185	112	190	42	97	15	108	270	376	24	11	50	24	27	7
M80	155	200	200	230	132	230	45	110	18	145	362	490	28	14	60	28	31	7
T16	195	240	240	270	160	290	47	129	20	188	448	616	28	14	80	38	41	10



CLUTCH AND BRAKE IN ONE



**Flange Type
Direct Motor
Mounted Vertical
Single Clutch Brake**

S-□□□-K26
Torque Code



Direct Flange Vertical Single Clutch Brake							
Model	Torque (kgfm)	Voltage DC-V	Coil			Protective Prime Factor	Maximum Number of Revolutions (r/min)
			Capacity (W)	Current (A)	Resistance (Ω)		
S-S50-K26	0.50	24	11	0.46	52	TNR9G820K	8000
S-M10-K26	1.0	24	15	0.63	38	TNR9G820K	6000
S-M20-K26	2.0	24	20	0.83	29	TNR9G820K	5000
S-M40-K26	4.0	24	25	1.04	23	TNR9G820K	4000
S-M80-K26	8.0	24	35	1.46	16	TNR9G820K	3000

Installation Size (mm)														
Dynamic Torque	A	B	C	D1	D2	D3	E	F	G	H	L	W	S	U
S50	23	10	3.5	160	130	110	14	45	10	M8X1.25	103.5	4	11	12.5
M10	30	10	3.5	160	130	110	14	4.5	10	M8X1.25	122.5	5	14	16
M20	40	12	3.5	200	165	130	17	5.5	12	M10X1.5	141	6	19	21.5
M40	50	12	3.5	200	165	130	17	5.5	12	M10X1.5	167	8	24	27
M80	60	16	4	250	215	180	17	6	14.5	M12X1.75	218	8	28	31

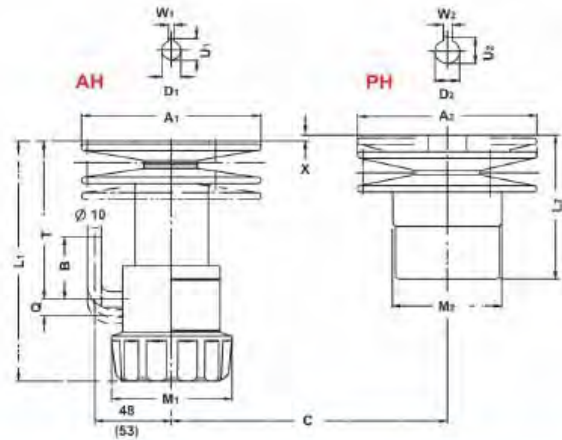
**Direct Motor
Mounted Horizontal
Single Clutch Brake**

S-□□□-K25
Torque Code

Direct Horizontal Single Clutch Brake							
Model	Torque (kgfm)	Voltage DC-V	Coil			Protective Prime Factor	Maximum Number of Revolutions (r/min)
			Capacity (W)	Current (A)	Resistance (Ω)		
S-S50-K25	0.50	24	11	0.46	52	TNR9G820K	8000
S-M10-K25	1.0	24	15	0.63	38	TNR9G820K	6000
S-M20-K25	2.0	24	20	0.83	29	TNR9G820K	5000
S-M40-K25	4.0	24	25	1.04	23	TNR9G820K	4000
S-M80-K25	8.0	24	35	1.46	16	TNR9G820K	3000

Installation Size (mm)																									
Dynamic Torque	A1	B1	B2	C1	C2	D1	D2	D3	D4	E	F	G	H	I	J	K	L	M	N	O	W	S	U	Z1	Z2
S50	26	116	136	65	90	160	130	110	100	14	M8X1.25-4	6.5	7	90	28	4.5	99	4.5	27.5	M4X0.7-8	4	11	12.5	13.5	6.5
M10	34	130	150	80	110	160	130	110	125	14	M8X1.25-4	9	7	90	47	4.5	120	4.5	32.5	M4X0.7-8	5	14	16	15.5	9
M20	44	143	167	105	140	200	165	130	150	17	M10X1.25-4	11	9	110	70	5.5	147	4.5	35	M6X1-11	5	19	21.5	20	11.5
M40	55	160	185	135	175	200	165	130	190	17	M10X1.25-4	11	13	110	97	5.5	174	4.5	42.5	M6X1-11	7	24	27	24.5	11.5
M80	64	200	230	155	200	250	215	180	230	17	M12X1.25-4	14	14	140	127	6	214	6	45	M6X1-11	7	28	31	28	14

APH



APH (Dimension)

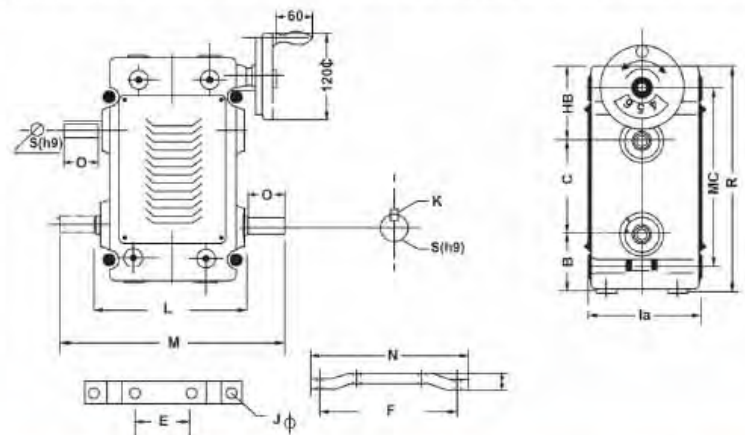
SIZE	AH												PH									
	A ₁	M ₁	L ₁	B	Q	T	D ₁	U ₁	W ₁	max. PD	min. PD	kg	A ₂	M ₂	L ₂	D ₂	U ₂	W ₂	max. PD	min. PD	X	kg
APH-02	90	70	141	-	10	65	$\frac{11}{14}$	16.5	-	85	34.5	2.0	106	67.5	91	$\frac{12}{15}$	16.5	5	101	53.5	-2	1.4
APH-05	124	86	164	53	11	107	$\frac{14}{16}$	$\frac{16.5}{18.5}$	5	114	58	2.4	124	79	122	$\frac{15}{18}$	$\frac{17.5}{20.5}$	5	118	62	10	2.3
APH-1	140	86	172	53	15	122	$\frac{19}{24}$	$\frac{22}{27.5}$	$\frac{6}{8}$	135	58	2.7	155	94	150	$\frac{18}{22}$	$\frac{20.5}{25.5}$	$\frac{5}{7}$	150	77	10	4.0
APH-2	155	86	205	53	17	142	$\frac{24}{28}$	$\frac{27.5}{31.5}$	8	148	60	3.6	185	104	172	$\frac{22}{25}$	$\frac{25.5}{28.5}$	7	178	103	14	6.0
APH-5	185	86	225	74	17.5	89	28	31.5	8	172	70	8.5	224	85	165	$\frac{25}{30}$	34	7	216	120	40	6.2
APH-7.5	250	200	270	75	34	210	38	41.5	10	240	115	12.5	325	200	205	$\frac{35}{40}$	$\frac{38.5}{43.5}$	10	290	175	70	23

APH (Model APH)

SIZE	Motor HP	Type	Belt Number	Ratio
			Shaft Distance (C)	
APH-02	1/4	AH-90 PH-106	1022V 220	1:4
			163	
APH-05	1/2	AH-124 PH-124	1422V 270	1:3.5
			200	
APH-1	1	AH-140 PH-155	1422V 270	1:4
			172	
APH-2	2 3	AH-155 PH-185	1922V 298	1:4
			182	
APH-5	5	AH-185 PH-224	41 X 988	1:4
			250	
APH-7.5	7.5	AH-250 PH-325	4430V 630	1:4
			457	

SIZE	Belt Number	Belt Number	Belt Number
	Shaft Distance (C)	Shaft Distance (C)	Shaft Distance (C)
APH-02	1022V 220	1022V 247	
	163	200	
APH-05	1422V 270	1422V 300	1422V 330
	200	242	278
APH-1	1422V 270	1422V 300	1422V 330
	172	214	250
APH-2	1922V 298	1922V 321	1922V 338
	182	211	235
APH-5	41 X 988	41 X 1013	41 X 1263
	250	268	390
APH-7.5	4430V 630	4430V 670	
	457	507	

VR



VR (Dimensions)

SIZE	Motor HP	N	C	la	F	R	A	MC	Q	L	Sφ	B	Jφ	M	K	E	HB
VR - 05	1/2	216	122	146	186	294	19	232	40	173	17	72	12	265	5 X 5	90	100
VR - 1	1	240	129	155	210	309	22	245	50	197	20	76.5	13	310	5 X 5	100	103.5
VR - 2	2	260	147	172	230	350	24	280	60	210	25	87.5	14	335	7 X 7	110	115.5
VR - 3	3	290	171	198	260	400	24	312	70	238	30	100	14	390	7 X 7	126	129